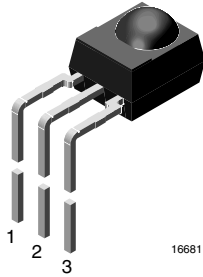


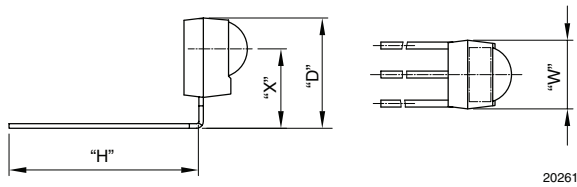
IR Receiver Modules for Remote Control Systems


FEATURES

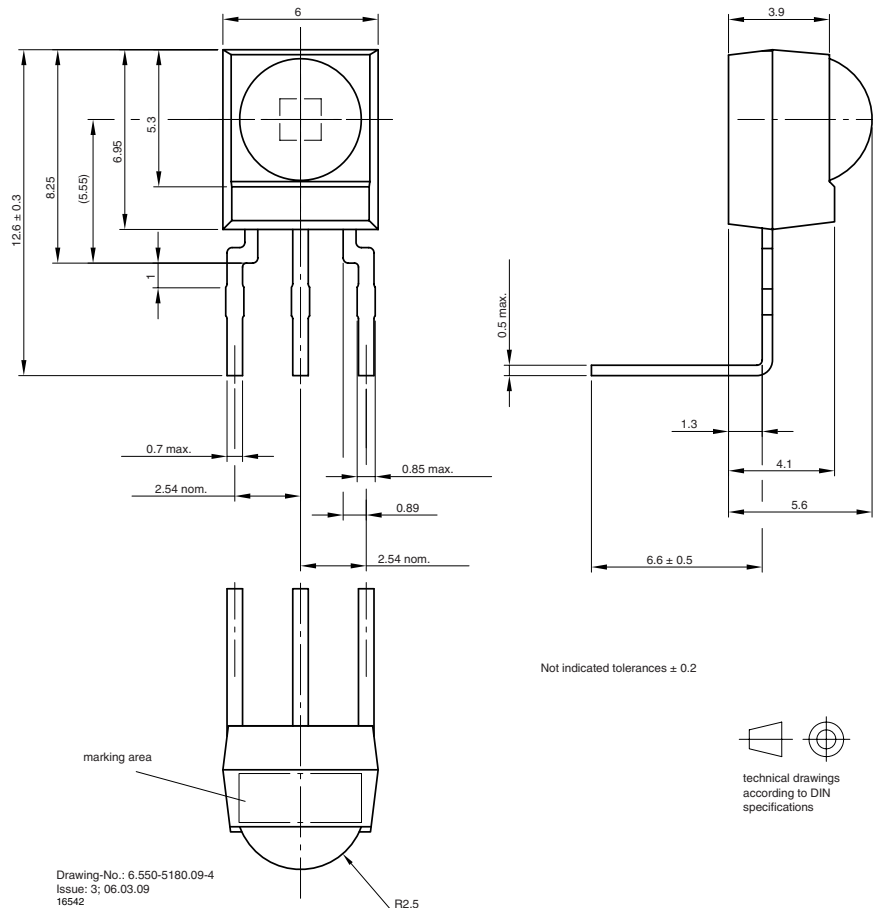
- Compliant to RoHS directive 2002/95/EC and in accordance to WEEE 2002/96/EC


AVAILABLE FOR:

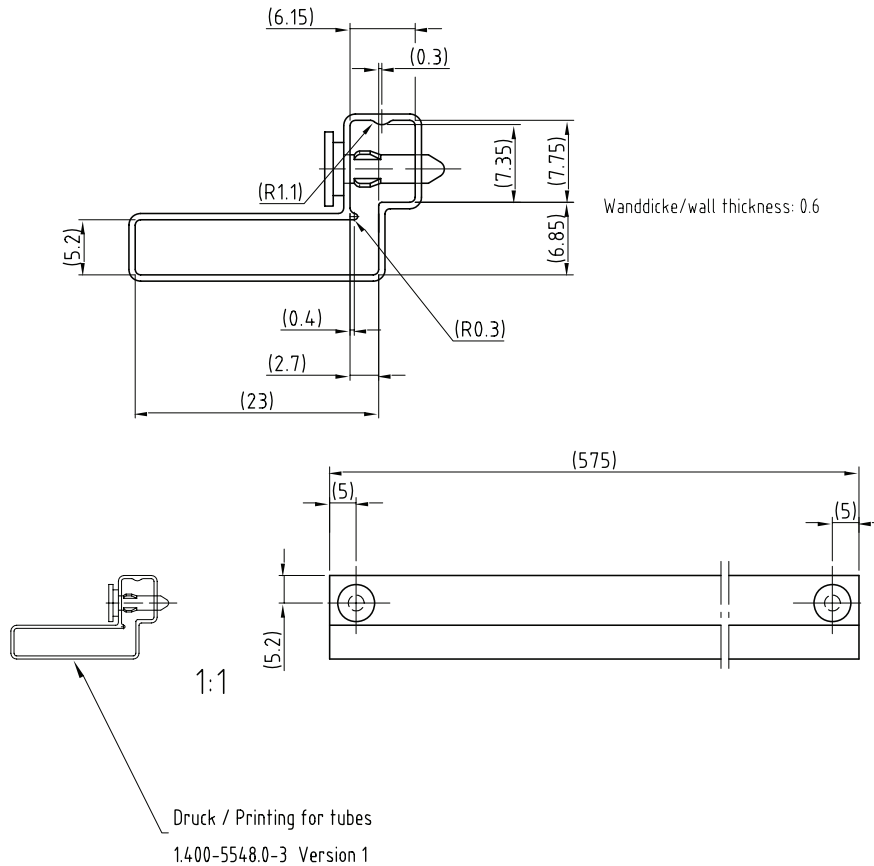
- TSOP34...
- TSOP4....
- TSOP32...
- TSOP2....


**RoHS
COMPLIANT**


NAME	LENS AXIS (X)	VIEW	TYPE	HEIGHT (H)	WIDTH (W)	DEPTH (D)
SL1	9.9		Bend	6.6	6	12.6

MECHANICAL DIMENSIONS in millimeters


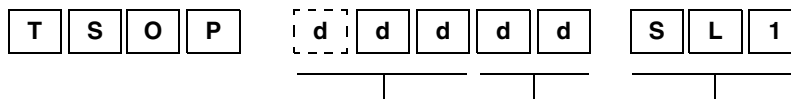
PACKAGING DIMENSIONS in millimeters



Drawing-No.: 9.700-5213.0-4
Rev. 6; Date: 20.11.03

20262-1

ORDERING INFORMATION



2 or 3 digit product series 2 digit frequency Holder type

Note

d = "digit", please consult the list of available series on the previous page to create a valid part number.

Example: TSOP14838SL1

PACKING QUANTITY

- 90 pieces per tube
- 24 tubes per carton